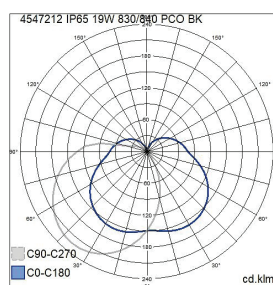
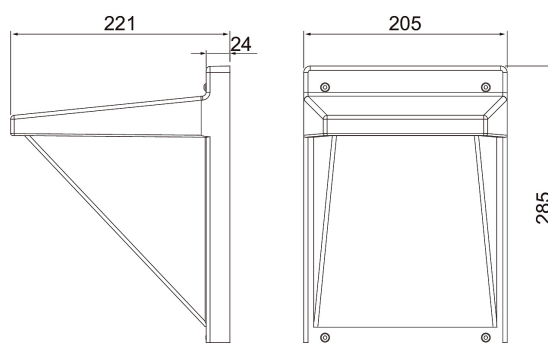


Vino Duo

The versatile Vino Duo façade luminaire is designed as a general-purpose luminaire for detached houses and for illuminating the entrance areas of multi-residence buildings and industrial facilities. It is suitable for applications where high impact resistance is required. You can also use Vino Duo as a street number indicator if you equip the diffuser with letter or number adhesives, which must be purchased separately. You can select the colour temperature from two and the efficacy from three options upon installation.

- UV-stabilised polycarbonate (PCO) housing and diffuser.
- White RAL 9016 and black RAL 9005.
- Protection class II.
- Surface mounting on the wall.
- Linkable, 3 x 2.5 mm².
- Installation height 2–6 m.
- Colour temperature 3000/4000 K, adjustable on the luminaire CRI > 80 / Ra > 80.
- MacAdam 5 SDCM.
- IP65.
- IK10.
- Integrated LED: 6W 500 lm / 12W 1000 lm / 19W 1500 lm. The lumen output can be adjusted on the luminaire.
- On/off.
- Ambient temperature range -25 ... 25 °C.
- Rated lifetime L70 50 000 h (Ta25°C).
- Power source service life 100 000 h (Ta25°C).
- Letter and number stickers are not included.



1	2	mA	W	lm
off	off	150	6W	500
on	off	350	12W	1000
on	on	550	19W	1500

Teho vaihdettavissa valaisimesta.

• In stock

Vino Duo

NO.	CODE	W	LM
• 4547212	A5VINA IP65 19W 830/840 PCO BK	19	1500
• 4547213	A5VINB IP65 19W 830/840 PCO WH	19	1500