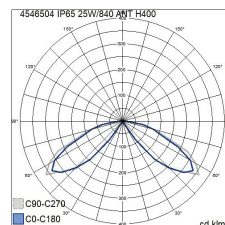
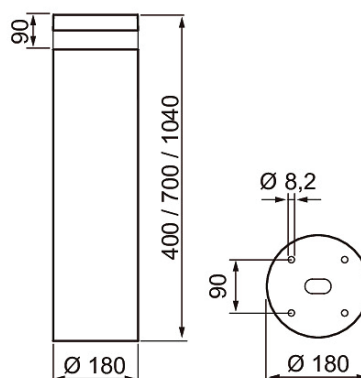


Olymos

Olymos is a high-quality bollard luminaire for outdoor areas, parks and pathways. The luminaire has a solid structure and high-quality materials, such as an aluminium housing and UV-protected finishing. With its clean-lined design, the luminaire is suitable for many types of environments. The luminaire distributes light evenly in all directions, and comes with several mounting options that facilitate installation in any location. Olymos is available in three sizes.

- The housing is made of extruded aluminium, with the top made of cast aluminium. The diffuser is made of clear UV-protected polycarbonate.
- Black RAL 9005 and anthracite.
- Protection class I.
- Installation: 1. Bolt fastening directly to a concrete slab. 2. On concrete casting using a mounting stand or a pry bar (4546510) that must be bought separately. 3. Using ground support MTS-2N 4146704 together with ground support P (4107104), or 4. Ground support MTS-2N 4146704 with a 60 mm concrete base on soft ground.
- Connection in a separate junction box 3 x 1.0 mm², not linkable.
- Linkable using separate mini junction box 1602606.
- Fixed LED: 25 W / 1,000 lm and 40 W / 1,400 lm.
- Colour temperature of the fixed LED: 4,000 K. CRI > 80 / Ra > 80.
- MacAdam 3 SDCM.
- IP65.
- IK07.
- Ambient temperature range -20 ... 25 °C
- Rated lifetime L70 100,000 h (Ta25°C).
- Power source lifespan 100,000 h.
- AN = anthracite, BK = black.
- Available with the Casambi control system on a project-specific basis. Available by special order in 3000 K colour temperature and with silver colour (RAL 9006).



By order

Olymos H400

NO.	CODE	W	LM
4546504	A5OLYA IP65 25W/840 PCC ANT H400	25	1000
4546505	A5OLYB IP65 40W/840 PCC ANT H400	40	1400
	A5OLYH IP65 25W/840 PCC BK H400	25	1000
	A5OLYI IP65 40W/840 PCC BK H400	40	1400

Olymos H700

NO.	CODE	W	LM
4546506	A5OLYC IP65 25W/840 PCC ANT H700	25	1000
4546507	A5OLYD IP65 40W/840 PCC ANT H700	40	1400
	A5OLYJ IP65 25W/840 PCC BK H700	25	1000
	A5OLYK IP65 40W/840 PCC BK H700	40	1400

Olymos H1040

NO.	CODE	W	LM
4546508	A5OLYE IP65 25W/840 PCC ANT H1040	25	1000
4546509	A5OLYF IP65 40W/840 PCC ANT H1040	40	1400
	A5OLYL IP65 25W/840 PCC BK H1040	25	1000
	A5OLYM IP65 40W/840 PCC BK H1040	40	1400

Olymos Root Mounting Kit

NO.	CODE	
4546510	A5OLYG	Root mounting kit