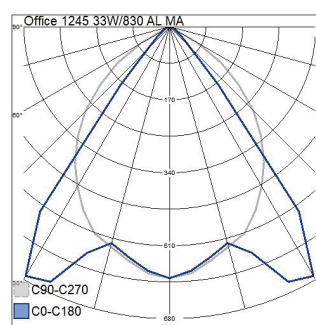
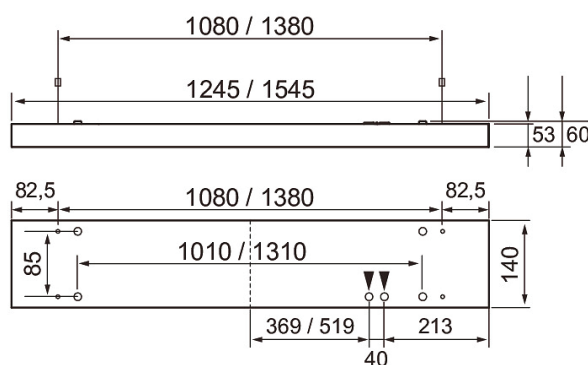


Office

The Office downlight range, which can be surface-mounted on the ceiling, offers a variety of general lighting solutions with numerous customisation options. Its optics features include an aluminium low-luminance louvre and an integrated opal shield, which eliminate glare from the LEDs and achieve an excellent Unified Glare Rating I/value (UGR <19). Typical applications include schools, offices and other spaces where computers are used.

- Steel housing, low-luminance louvre made of anodised aluminium.
- White, RAL9003.
- Protection class I.
- Surface mounting to the ceiling or wall. Mounting on a suspension rail with additional accessories.
- Linkable, 3 x 2,5 mm², Dali-versions 5 x 2,5 mm².
- Integrated LED:
 - 1245 mm 33 W 4000 lm / 46 W 5500 lm.
 - 1545 mm 42 W 5000 lm / 58 W 7000 lm.
- Colour temperatures 3,000 K and 4,000 K and Tunable white 2700–6500 K. CRI > 80 / Ra > 80.
- MacAdam 3 SDCM.
- IP20.
- IK02.
- On/off, Dali-2, with pushbutton control 230V and CLO-function, Casambi (Bluetooth mesh) and ActiveAhead (with G2 sensor).
- Ambient temperature range 0 ... 25 °C.
- Rated lifetime L80 100,000 h (Ta25°C).
- Rated lifetime L90 80,000 h (Ta25°C).
- A universal trail bracket for a 70 mm suspension rail (D2ARKI).
- WH = white, DA2 = Dali-2, CA = Casambi, AA = Helvar ActiveAhead, AL = aluminium, MA = low luminance.
- Also available in color temperatures 2700 K, 5000 K and 6500 K. CRI > 90 available for order. Project-specific luminous flux packages available on request. High-gloss louvre optics are available for the luminaire by special order. Available color options are also grey (RAL 9007) or black. Available with one pull switch, on/off and Dim. Available with a single pull switch, on/off and Dim.



A universal trail bracket for a 70 mm suspension rail (D2ARKI).

By order

Office

NO.	CODE		W	LM
	A1OFAA	1245 33W/830 AL MA WH	33	4000
4146855	A1OFAB	1245 33W/840 AL MA WH	33	4000
	A1OFAC	1245 46W/830 AL MA WH	46	5500
4146856	A1OFAD	1245 46W/840 AL MA WH	46	5500
	A1OFAE	1545 42W/830 AL MA WH	42	5000
4146857	A1OFAF	1545 42W/840 AL MA WH	42	5000
	A1OFAG	1545 58W/830 AL MA WH	58	7000
4146858	A1OFAH	1545 58W/840 AL MA WH	58	7000

Office Dali

NO.	CODE		W	LM
	A1OFAA-DALI	1245 33W/830 DA2 AL MA WH	33	4000
4146859	A1OFAB-DALI	1245 33W/840 DA2 AL MA WH	33	4000
	A1OFAC-DALI	1245 46W/830 DA2 AL MA WH	46	5500
4146860	A1OFAD-DALI	1245 46W/840 DA2 AL MA WH	46	5500
	A1OFAE-DALI	1545 42W/830 DA2 AL MA WH	42	5000
4146861	A1OFAF-DALI	1545 42W/840 DA2 AL MA WH	42	5000
	A1OFAG-DALI	1545 58W/830 DA2 AL MA WH	58	7000
4146862	A1OFAH-DALI	1545 58W/840 DA2 AL MA WH	58	7000

Office Casambi

NO.	CODE		W	LM
	A1OFAA-CA	1245 33W/830 CA AL MA WH	33	4000
	A1OFAB-CA	1245 33W/840 CA AL MA WH	33	4000
	A1OFAC-CA	1245 46W/830 CA AL MA WH	46	5500
	A1OFAD-CA	1245 46W/840 CA AL MA WH	46	5500
	A1OFAE-CA	1545 42W/830 CA AL MA WH	42	5000
	A1OFAF-CA	1545 42W/840 CA AL MA WH	42	5000
	A1OFAG-CA	1545 58W/830 CA AL MA WH	58	7000
	A1OFAH-CA	1545 58W/840 CA AL MA WH	58	7000
	A1OFAI-CA	1245 33W/TW CA AL MA WH	33	4000
	A1OFAJ-CA	1245 46W/TW CA AL MA WH	46	5500
	A1OFAK-CA	1545 42W/TW CA AL MA WH	42	5000
	A1OFAL-CA	1545 58W/TW CA AL MA WH	58	7000

Office ActiveAhead

NO.	CODE		W	LM
	A1OFAA-AA	1245 33W/830 AA AL MA WH	33	4000
	A1OFAB-AA	1245 33W/840 AA AL MA WH	33	4000
	A1OFAC-AA	1245 46W/830 AA AL MA WH	46	5500
	A1OFAD-AA	1245 46W/840 AA AL MA WH	46	5500
	A1OFAE-AA	1545 42W/830 AA AL MA WH	42	5000
	A1OFAF-AA	1545 42W/840 AA AL MA WH	42	5000
	A1OFAG-AA	1545 58W/830 AA AL MA WH	58	7000
	A1OFAH-AA	1545 58W/840 AA AL MA WH	58	7000
	A1OFAI-AA	1245 33W/TW AA AL MA WH	33	4000
	A1OFAJ-AA	1245 46W/TW AA AL MA WH	46	5500
	A1OFAK-AA	1545 42W/TW AA AL MA WH	42	5000
	A1OFAL-AA	1545 58W/TW AA AL MA WH	58	7000