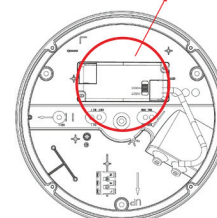
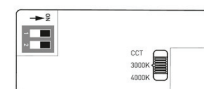
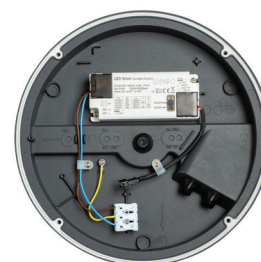
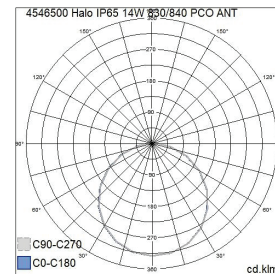
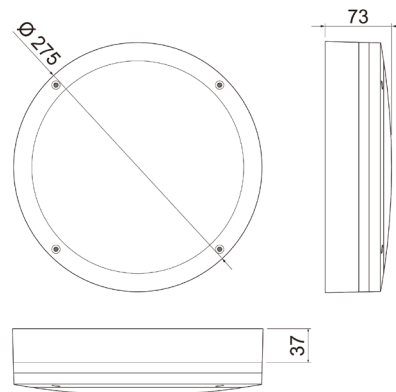




Halo

Halo is an elegant and versatile façade luminaire with an adjustable colour temperature. Made of high-quality, UV-protected materials, the luminaire is designed for applications where high impact resistance is required. Die-cast aluminium housing and polycarbonate diffuser. The luminaire's applications include the outdoor spaces and façades of residential properties. In addition to the colour temperature, the lumen output can be selected; four options are available. Both settings are selected in conjunction with installation. The luminaire is easy to install and offers a polished appearance, thanks to its inconspicuous screw fixtures. As an eye-catching design feature, the luminaire has a ring that provides illumination to the sides and creates an interesting lighting effect on the wall surface, giving your outdoor lighting solution a new and modern look.

- Die-cast aluminium housing and polycarbonate opal diffuser with UV protection.
- Grey, RAL 7024 and white, RAL 9016.
- Protection class I.
- Mounting on a wall or ceiling.
- Linkable 3 x 2.5 mm², Dali-models 5 x 2,5 mm².
- Installation height 2–4 m.
- Colour temperature 3,000/4,000 K, adjustable on the luminaire. CRI > 80 / Ra > 80.
- MacAdam 3 SDCM.
- IP65.
- IK10.
- Integrated LED: 8 W 600 lm / 9 W 750 lm / 12 W 1,000 lm / 14 W 1,100 lm. The efficacy and lumen output can be adjusted on the luminaire.
- On/off and Dali-2, with pushbutton control (230V).
- Use with Dali-2-certified control devices is recommended.
- Maximum number of led drivers to be connected to one switch is 20 pcs.
- The length of the cable between the switch and the luminaire is max. 20 meters.
- Ambient temperature range -30 ... 25 °C.
- Rated lifetime: L70 75,000 h (Ta25°C).
- Also available as Casambi model on a project-specific basis.



By order, • In stock

Halo

NO.	CODE		W	LM
• 4546500	A5HAAA	IP65 14W 830/840 PCO ANT	14	1100
• 4546516	A5HAAC	IP65 14W 830/840 PCO WH	14	1100

Halo Dali

NO.	CODE		W	LM
	A5HAAA-DA	IP65 14W 830/840 DA2 PCO ANT	14	1100
	A5HAAC-DA	IP65 14W 830/840 DA2 PCO WH	14	1100