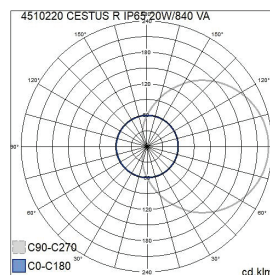
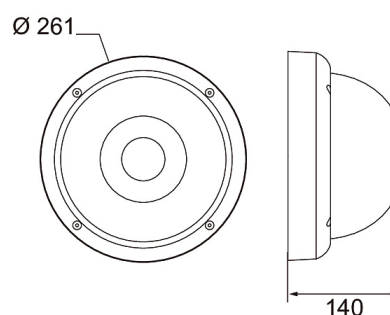




## Cestus R

The wall-mounted Cestus R luminaire with an aluminium housing and polycarbonate diffuser is designed for demanding applications where high impact resistance is required. It is suitable for use on exterior walls of residential buildings and it can be installed on both new and renovated buildings. The luminaire is available as models with an integrated LED and an E27 base.

- Die-cast aluminium body and polycarbonate diffuser.
- White and anthracite.
- Protection class I.
- Surface mounting on the wall or the ceiling.
- Linkable, 3 x 2.5 mm<sup>2</sup>, spring terminal blocks.
- Knockouts for surface wiring.
- Colour temperature 4,000 K. CRI > 80 / Ra > 80.
- MacAdam 3 SDCM.
- IP65.
- IK10.
- Fixed LED 20 W / 1650 lm.
- LED-lamp A60 E27 max. 11W, not included.
- On/off.
- Ambient temperature range -25 ... 25 °C.
- Rated lifetime L70 50,000 h (Ta25°C).



• In stock

### Cestus R

| NO.       | CODE                               | W  | LM   |
|-----------|------------------------------------|----|------|
| • 4510221 | A5CEAB IP65 IK10 20W/840 PCO ANT R | 20 | 1650 |
| • 4510220 | A5CEAA IP65 IK10 20W/840 PCO WH R  | 20 | 1650 |

### Cestus R E27

| NO.       | CODE                           |
|-----------|--------------------------------|
| • 4510230 | A5CEBB IP65 IK10 E27 PCO ANT R |
| • 4510229 | A5CEBA IP65 IK10 E27 PCO WH R  |