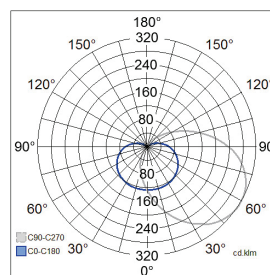
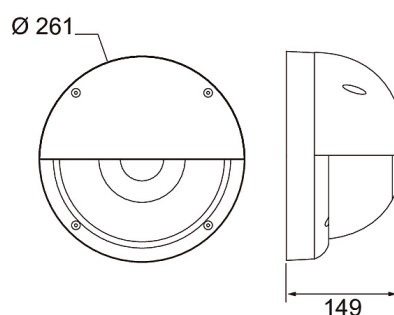




Cestus R Eye

Cestus R Eye is a wall luminaire with an aluminium housing and polycarbonate diffuser. It is designed for demanding applications where high impact resistance is required. It is suitable for use on exterior walls of residential buildings and it can be installed on both new and renovated buildings. The luminaire is available as models with an integrated LED and an E27 base.

- Die-cast aluminium body and polycarbonate diffuser.
- White and anthracite.
- Protection class I.
- Surface mounting on the wall or the ceiling.
- Linkable, 3 x 2.5 mm², spring terminal blocks.
- Knockouts for surface wiring.
- Colour temperature 4,000 K. CRI > 80 / Ra > 80.
- MacAdam 3 SDCM.
- IP65.
- IK10.
- Fixed LED 20W / 800 lm.
- LED-lamp A60 E27 max. 11W, not included.
- Ambient temperature range -25 ... 25 °C.
- Rated lifetime L70 50,000 h (Ta25°C).



• In stock

Cestus R Eye

NO.	CODE	W	LM
• 4510223	A5CEAD IP65 IK10 20W/840 PCO ANT R Ey	20	800
• 4510222	A5CEAC IP65 IK10 20W/840 PCO WH R Ey	20	800

Cestus R Eye E27

NO.	CODE
• 4510232	A5CEBD IP65 IK10 E27 PCO ANT R Ey
• 4510231	A5CEBC IP65 IK10 E27 PCO WH R Ey