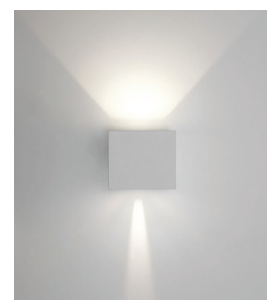
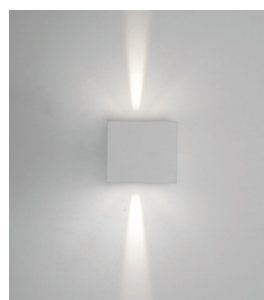
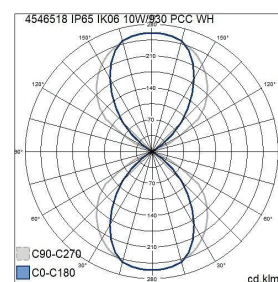
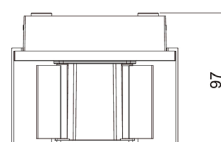
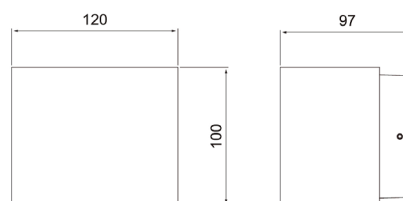




Brick Double

With the streamlined Brick Double luminaire, you can bring added style to your property's façade, yard area or staircase. The luminaire's upward and downward beams of light create an interesting interplay of light and shadow that emphasises the wall surfaces and structures. This UV-protected luminaire made from high-quality materials is ideal for indoor and outdoor use by housing companies. It offers excellent colour rendering properties. An installation frame, available as an accessory, enables surface wiring, which is particularly useful in renovation projects. The luminaire is linkable.

- Die-cast aluminium housing and UV-protected, clear polycarbonate diffuser.
- Grey, RAL 7024 and white, RAL 9016.
- Protection class I.
- Wall mounting.
- Linkable, 3 × 2.5 mm².
- Colour temperature 3,000 K or 4,000 K. CRI > 90 / Ra > 90.
- MacAdam 3 SDCM.
- IP65.
- IK06.
- Integrated LED 10W, 3,000 K 700 lm / 4,000 K 800 lm.
- On/off.
- Ambient temperature range -30 ... 25°C.
- Rated lifetime L70 75,000 h (Ta25°C).
- Rated lifetime L80 50,000 h (Ta25°C).
- Stepless control of light beams 15–60 degrees.
- Installation frames 4546526 (WH) and 4546527 (GR) required for surface wiring are available as accessories.



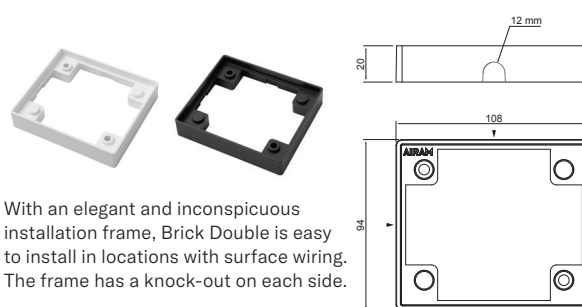
• In stock

Brick Double

NO.	CODE		W	LM
4546518	A5BRIA	IP65 IK06 10W/930 PCC WH	10	700
4546519	A5BRIB	IP65 IK06 10W/930 PCC GR	10	700
4546520	A5BRIC	IP65 IK06 10W/940 PCC WH	10	800
4546521	A5BRID	IP65 IK06 10W/940 PCC GR	10	800

Brick Double Accessories

NO.	CODE	
4546526	A5BRIL	Bracket WH
4546527	A5BRIJ	Bracket GR



With an elegant and inconspicuous installation frame, Brick Double is easy to install in locations with surface wiring. The frame has a knock-out on each side.