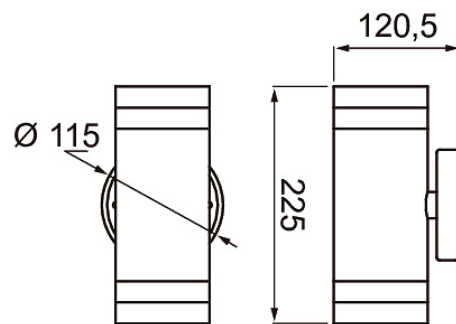




## Alppila Double XL-W

Alppila luminaires are made of stainless steel, making them ideal for illuminating exterior walls. They are also suitable for indoor use, for example, in bathrooms. The XL-W model's housing is equipped with highlight bands that let light through.

- Stainless steel, hardened glass.
- White, RAL 9010 and anthracite, RAL 7016.
- Wall mount.
- Screw couplers, 3 x 2.5 mm<sup>2</sup>, one cable inlet, not linkable.
- LED-lamp PAR16 GU10 max. 7W, not included.
- IP44.
- The ambient temperature is between -20 ... 25 °C, in line with recommendations for the lamp.



• In stock

### Alppila Double XL-W

NO.	CODE
4510238	A5ABXL IP44 2XGU10 GLC WH XL-W
4510239	A5AAXL IP44 2XGU10 GLC ANT XL-W