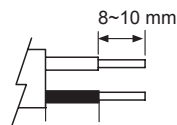


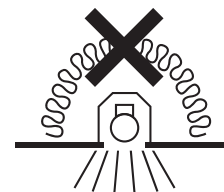
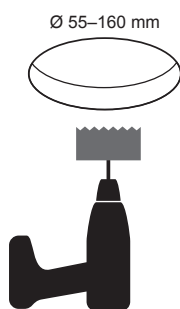
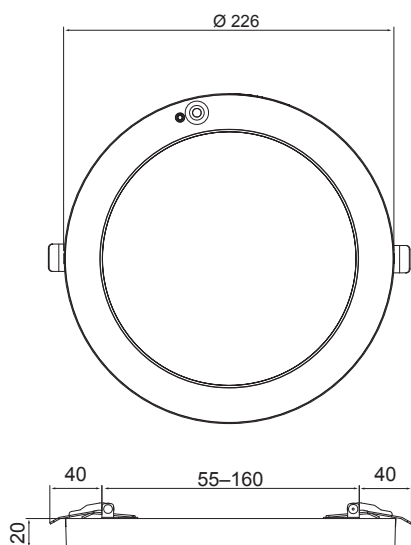
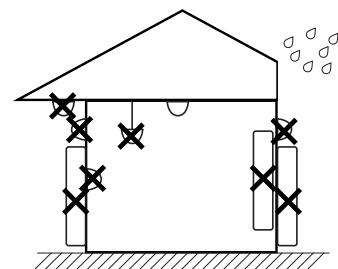
Cio Multi Pir

IP20    -O PF≥0.9  

Alasvalo | Downlight armatur | Downlight



Kytettävä erillisessä rasiassa.
Inkoppling via separat dosa.
Connection in a separate terminal box.



Valaisinta ei saa asentaa suoraan eristemateriaaliin.

Denna armatur är inte avsedd för att täckas med värmeisolerande material.

The luminaire is not suitable for covering with thermally insulated material.

FI

Tämä tuote sisältää energiatehokkuusluokan F valonlähteen.

Valaisimen saa asentaa vain sähköalan ammattilainen. Käytä ainoastaan syöttöjännitettä ja taajuutta joka on merkitty valaisimeen/liitäntälaitteeseen. Kytke virta pois päältä ennen asennusta tai huoltoa. Tämä asennusohje on säilytettävä ja sen on oltava käytössä asennuksessa ja huollossa. Tämän valaisimen valonlähde ei ole vaihdettavissa. Kun valonlähde rikkoutuu, koko valaisin on poistettava käytöstä.

SE

Denna produkt innehåller en ljuskälla med energieffektivitetsklass F.

Vi rekommenderar att installationen görs av en behörig elektriker. Använd endast driftspänning och frekvens som är märkt på armaturen/förkopplingsdonet. Bryt strömmen före installation eller service. Denna monteringsanvisning bör sparas och finnas tillgänglig vid installation eller framtida service. Ljuskällan till denna armatur kan inte bytas ut. När ljuskällan når sin livslängd ska hela armaturen bytas ut.

EN

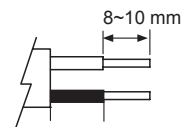
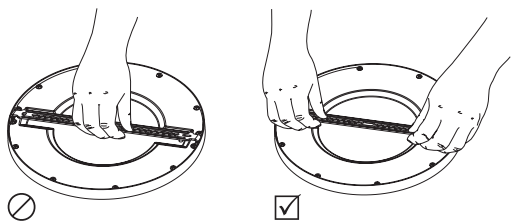
This product contains a light source of energy efficiency class F.

Only a professional electrician is allowed to do the installation. Use only rated voltage and frequency as marked in the fixture/driver. Switch off the current before installation or service. This mounting instruction must be kept available during installation and for future maintenance. The light source of this luminaire is not replaceable; when the light source reaches its end of life the whole luminaire shall be replaced.

Cio Multi Pir

IP20    -O PF≥0.9  

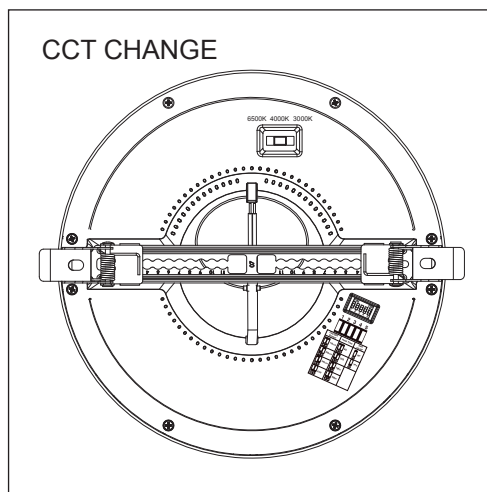
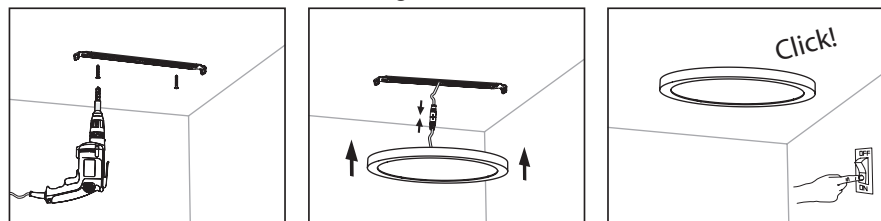
Alasvalo | Downlight armatur | Downlight



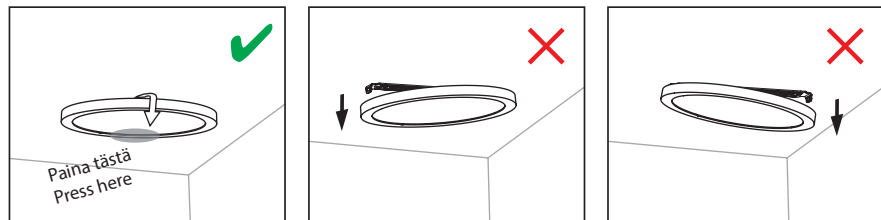
Kytettävä erillisessä rasiassa.
Inkoppling via separat dosa.
Connection in a separate terminal box.

Ennen asennusta, irrota kannake valaisimesta.
Before installation, take out the bracket from panel.

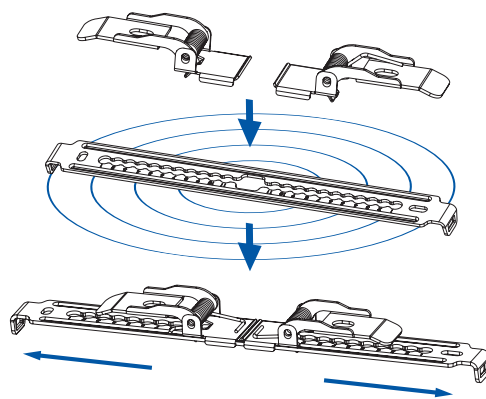
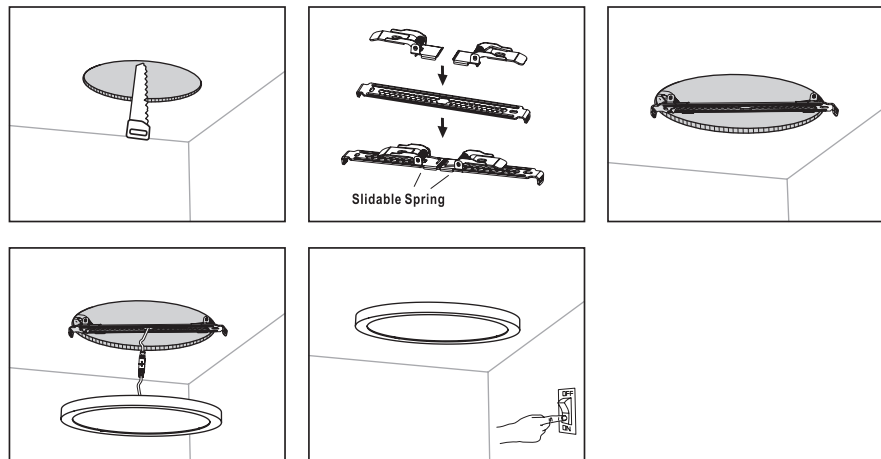
Pinta-asennus / Without mounting hole



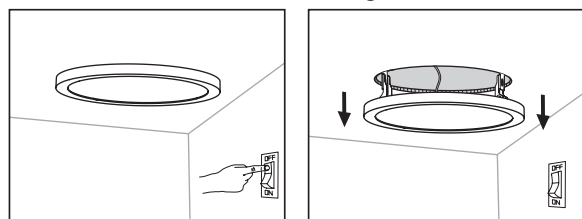
Valaisimen irrotus / Uninstalling



Puoliuppoasennus / With mounting hole ready



Valaisimen irrotus / Uninstalling



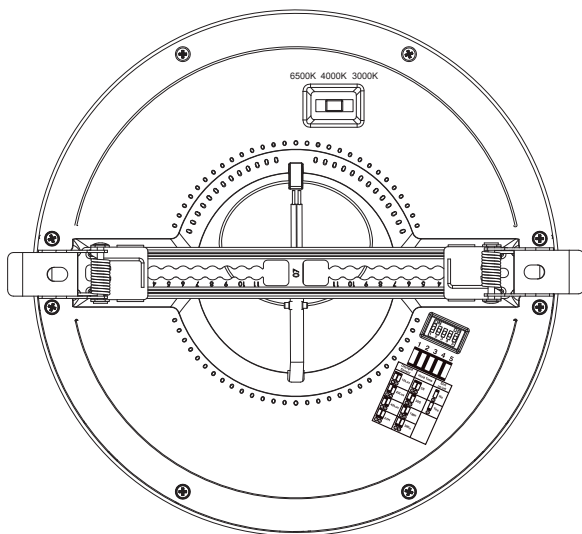
Cio Multi Pir

IP20 -O PF≥0.9

Alasvalo | Downlight armatur | Downlight

SENSOR SETTINGS

Daylight Sensor	Hold Time	Soft on/off
10Lux ①②	5S ③④	No ⑤
20Lux ①②	30S ③④	Yes ⑤
40Lux ①②	1Min ③④	
24H ①②	3Min ③④	



PIR SENSOR

Detection range 3-6 m
Detection angle 0~120°

CCT SWITCH

WW - warm white 3000 K
NW - natural white 4000 K
CW - cool white 6500 K

Daylight Sensor

Lux level 10 lux / 20 lux / 40 lux / 24 h made when the PIR is activated. If set to "24 h" the light will operate at all light levels.

 10Lux 1 2	 If > 10 lux and movement is detected, panel does not go on.	 If < 210 lux and movement is detected, panel goes on.	 When there is no movement, panel does not go on.
 20Lux 1 2	 If > 20 lux and movement is detected, panel does not go on.	 If < 20 lux and movement is detected, panel goes on.	 When there is no movement, panel does not go on.
 40Lux 1 2	 If > 40 lux and movement is detected, panel does not go on.	 If < 40 lux and movement is detected, panel goes on.	 When there is no movement, panel does not go on.
 24H 1 2	 When movement is detected, panel goes on.	 When there is no movement, panel does not go on.	

Hold Time

The length of time 5 s/30 s/1 min the light will remain "ON" once the PIR is activated. If the light is already on, the timer will reset each time the PIR is activated.

 5S 3 4	 Light standby 5S	 30S 3 4	 Light standby 30S
 1Min 3 4	 Light standby 1min	 3Min 3 4	 Light standby 3min

Soft on/off

'No' refers to the lamp turning on with standard brightness when PIR is activated.
'Yes' refers to the lamp gradually brightening in 1 S when activated. Once the detection of heat is removed the light will turn off gradually in 3S.

 No 5	 Light turns on when motion detected
 Yes 5	 Light gradually brightens in 1S when motion is detected, and it turns off gradually in 3S after no more motion is detected

Additional function: when it is necessary, the sensor function can be canceled

	Operation	Time interval
Cancel	Turn on → off → on	Off time < 1S
Restore	Turn off → on	Off time < 2S